

ITEM NO.	PartNo	DESCRIPTION	QTY.
1	A10383011	Motor, 1HP, 50/60HZ, 3PH, BP, 56J	1
2	A115010	PUMP, BOOSTER, HP75, 475, PP	1
3	B100740	ELB, 0.75 BARB X 0.75MNPT	1
4	B120640	ADAP, 0.75 BARB X .75 MNPT	1
5	E280738	STRAIN RELIEF, ELB, .75 X 0.5 NPT, ALU.SLDPRT	1
6	G191905	CLAMP, HOSE, 3/4", SS	4
7	G18332223	SCREW, HEX A, 1/4-20X1,SS	4
8	G18100121	WASHER, FLAT, OS, 1/4, SS	4
9	B122607	CONN, .25 TUBE X .125 NPT, QK	1
10	B103918	ELB90, 3/8 X 1/4 TUBE, QK	1
11	A251205	IMPELLER, 5.00, CPVC -HP75	1
12	G220601	SEALS, KIT, BP, HP75, PVC	1
13	G18120133	WASHER, LOCK, .375, SS	4
14	G18212220	BOLT, HEX, .375-16,1 IN, SS	4
15	E282420	CONN, SPlicing, 28-14 AWG, 3 COND	4
16	E282320	CONN, SPlicing, 28-14 AWG, 2 COND	6

NOTICE OF CONFIDENTIALITY

THE INFORMATION CONTAINED IN THIS DRAWING IS THE SOLE PROPERTY OF BLUE WATER DESALINATION LLC. ANY REPRODUCTION, CIRCULATION, AND DISTRIBUTION IN PART OR AS A WHOLE WITHOUT THE WRITTEN CONSENT OF BLUE WATER DESEALINATION LLC IS STRICTLY PROHIBITED.

MATERIAL:

FINISH:

DO NOT SCALE DRAWING

TOLERANCES
UNLESS OTHERWISE SPECIFIED:
FRACTIONAL: ± 1/16 ± 1.5mm
ANGULAR: ± 1 DEG
X ± 0.1 ± 2.5mm
XX ± 0.01 ± 0.50mm
XXX ± 0.05 ± 0.127mm

APPROVALS	DATE
DRAWN	
CHECK	
MFG	
QUAL	
CHIEF	

REVISIONS				
ZONE	REV.	DESCRIPTION	DATE	APPROVED
	A	UPDATED STEM, ELBOW AND SEAL KIT	4/4/2014	RC/CO

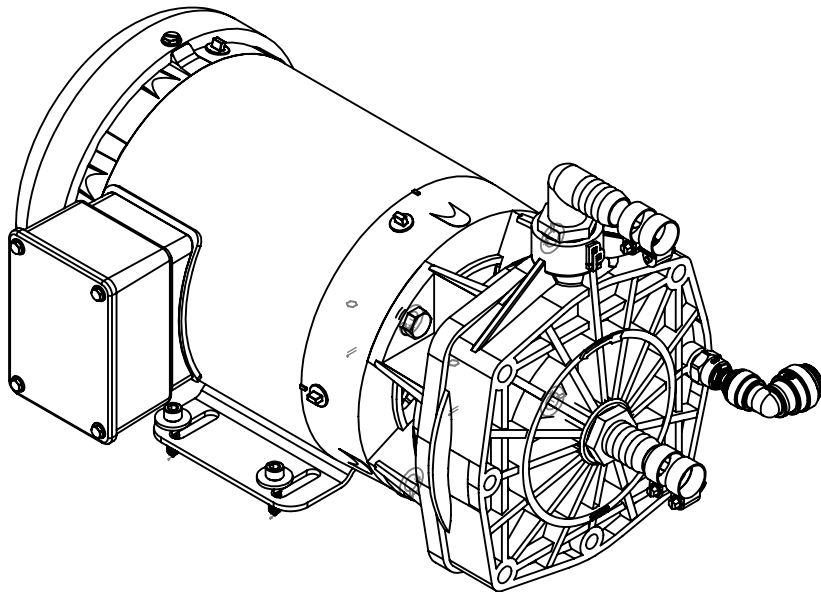
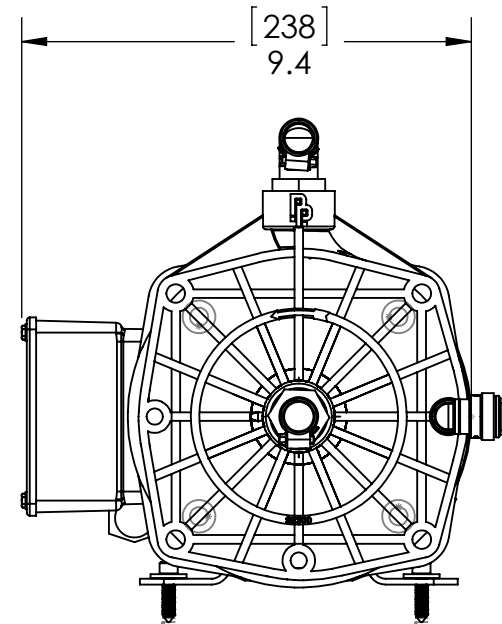
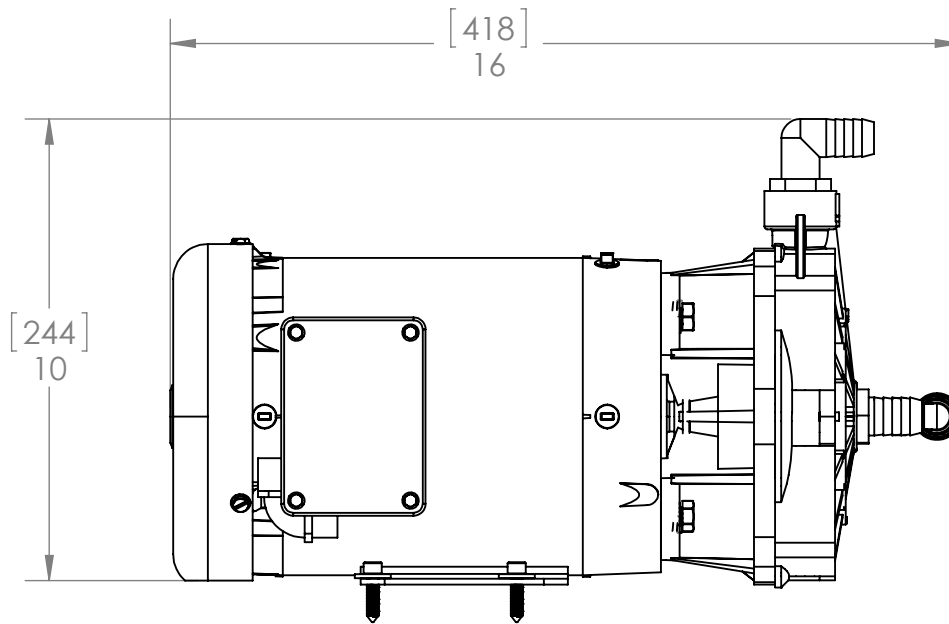


Blue Water
DESALINATION

1930 E. CARSON ST. SUITE 103
CARSON, CA 90810
TEL: 1 (855) 53 DESAL
FAX: 1 (310) 684 - 1474
www.BlueWaterDesalination.com

TITLE: PMP-MTR, ASSY, BP, 1HP, 3PH, HP75

SIZE D	DRAWING NUMBER PM2307	REV NR
SCALE:	WEIGHT:	SHEET 1 OF 2



NOTICE OF CONFIDENTIALITY

THE INFORMATION CONTAINED IN THIS DRAWING IS THE SOLE PROPERTY OF BLUE WATER DESALINATION LLC. ANY REPRODUCTION, CIRCULATION, AND DISTRIBUTION IN PART OR AS A WHOLE WITHOUT THE WRITTEN CONSENT OF BLUE WATER DESALINATION LLC IS STRICTLY PROHIBITED.

MATERIAL:

FINISH:

DO NOT SCALE DRAWING

TOLERANCES
UNLESS OTHERWISE SPECIFIED:
DIMENSIONS ARE IN INCHES AND MILLIMETER
FRACTIONAL: ± 1/16" ± 1.5mm
ANGULAR: ± 1 DEG
X ± 0.1" ± 2.5mm
XX ± 0.01" ± 0.50mm
XXX ± 0.05" ± 0.127mm

APPROVALS	DATE



TITLE: **PMP-MTR, ASSY, BP, 1HP, 3PH, HP75**

SIZE **D** DRAWING NUMBER **PM2307** REV **NR**

SCALE: WEIGHT: SHEET 2 OF 2