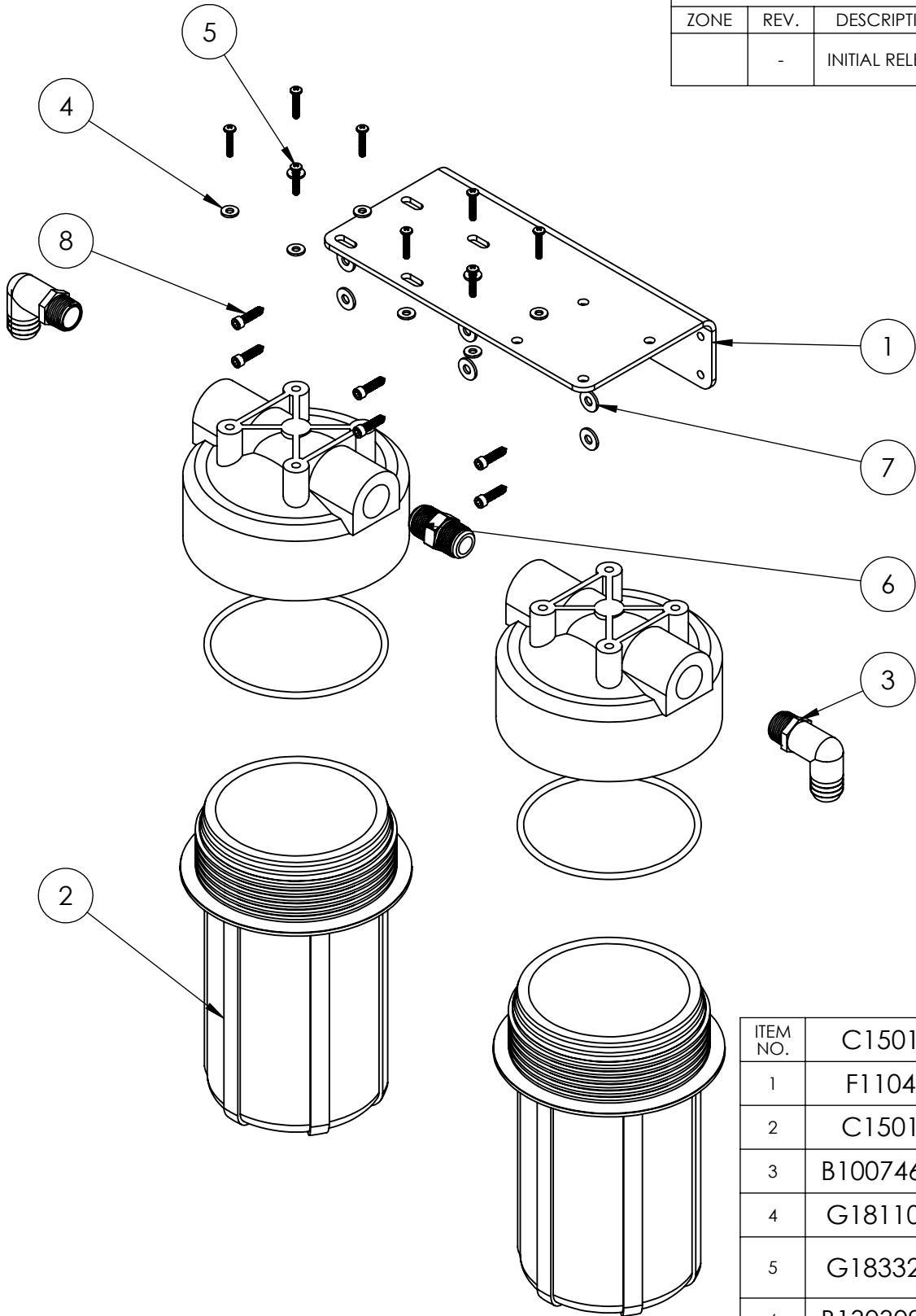


REVISIONS				
ZONE	REV.	DESCRIPTION	DATE	APPROVED
	-	INITIAL RELEASE	2/2/2015	RC/COB2



ITEM NO.	C150112	DESCRIPTION	QTY.
1	F110417	BRACKET, DUAL, FILTER, BIG BLUE	1
2	C150111	HOUSING, FILTER, 0.75, 10, BIG WHT	2
3	B100746NYL	ELB90, 1IN BARB X 0.745IN MPT, NYL	2
4	G18110103	WASHER, FLAT, 10, NYL	8
5	G18332219	SCREW, TYPE A, #10-32 X 1.SLDPRT	8
6	B130309NYL	NIPPLE, HEX, .75, MNPT CLOSE	1
7	G18100121	WASHER, FLAT, OS, 1/4, SS	6
8	G18332223	SCREW, HEX A, 1/4-20X1,SS	6

**NOTICE OF CONFIDENTIALITY**  
 THE INFORMATION CONTAINED IN THIS DRAWING IS THE SOLE PROPERTY OF BLUE WATER DESALINATION LLC. ANY REPRODUCTION, CIRCULATION, AND DISTRIBUTION IN PART OR AS A WHOLE WITHOUT THE WRITTEN CONSENT OF BLUE WATER DESALINATION LLC IS STRICTLY PROHIBITED.

MATERIAL:  
 FINISH:  
 DO NOT SCALE DRAWING

**TOLERANCES**  
 UNLESS OTHERWISE SPECIFIED:  
 DIMENSIONS ARE IN INCHES AND MILLIMETER  
 FRACTIONAL: ± 1/16" ± 1.5mm  
 ANGULAR: ± 1 DEG  
 X ± .01" ± 0.25mm  
 XX ± .001" ± 0.025mm  
 XXX ± .005" ± 0.127mm

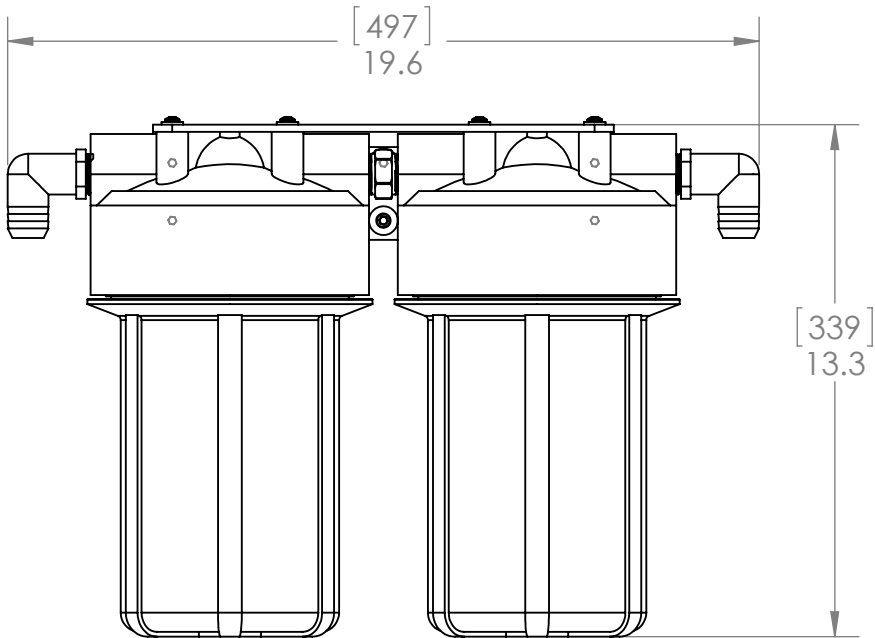
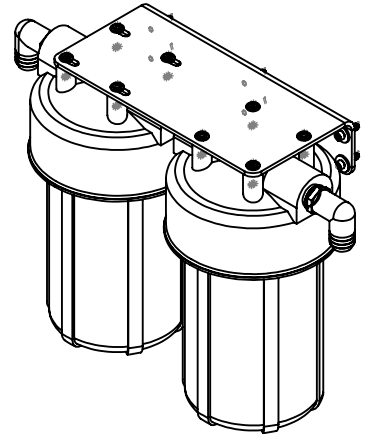
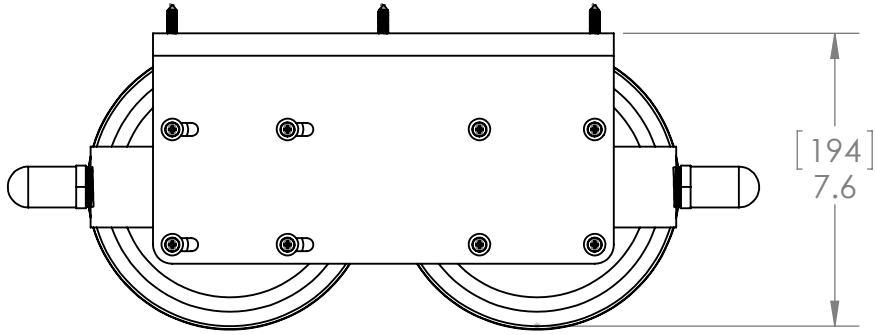
APPROVALS: \_\_\_\_\_ DATE: \_\_\_\_\_  
 DRAWN: \_\_\_\_\_  
 CHECK: \_\_\_\_\_  
 MFG: \_\_\_\_\_  
 QUAL: \_\_\_\_\_  
 CHIEF: \_\_\_\_\_

**Blue Water**  
 DESALINATION  
 1930 E. CARSON ST. SUITE 103  
 CARSON, CA 90810  
 TEL: 1 (855) 55 DESAL  
 FAX: 1 (310) 684 - 1474  
 www.BlueWaterDesalination.com

TITLE: FILTER, ASSY, DUAL, 5-20, BIG BLUE, 1IN

SIZE: **D** DRAWING NUMBER: **FL1113** REV: -

SCALE: \_\_\_\_\_ WEIGHT: \_\_\_\_\_ SHEET 1 OF 2



**NOTICE OF CONFIDENTIALITY**

THE INFORMATION CONTAINED IN THIS DRAWING IS THE SOLE PROPERTY OF BLUE WATER DESALINATION LLC. ANY REPRODUCTION, CIRCULATION, AND DISTRIBUTION IN PART OR AS A WHOLE WITHOUT THE WRITTEN CONSENT OF BLUE WATER DESALINATION LLC IS STRICTLY PROHIBITED.

MATERIAL:  
FINISH:  
DO NOT SCALE DRAWING

**TOLERANCES**  
UNLESS OTHERWISE SPECIFIED:  
DIMENSIONS ARE IN INCHES AND MILLIMETER  
FRACTIONAL: ± 1/16" ± 1.5mm  
ANGULAR: ± 1 DEG  
X ± 0.1" ± 2.5mm  
XX ± 0.01" ± 0.50mm  
XXX ± 0.005" ± 0.127mm

APPROVALS	DATE
DRAWN	
CHECK	
MFG	
QUAL	
CHIEF	



**Blue Water**  
DESALINATION

1930 E. CARSON ST. SUITE 103  
CARSON, CA 90810  
TEL: 1 (855) 55 DESAL  
FAX: 1 (310) 684 - 1474  
www.BlueWaterDesalination.com

TITLE: FILTER, ASSY, DUAL, 5-20, BIG BLUE, 1IN

SIZE	DRAWING NUMBER	REV
<b>D</b>	<b>FL1113</b>	<b>NR</b>
SCALE:	WEIGHT:	SHEET 2 OF 2