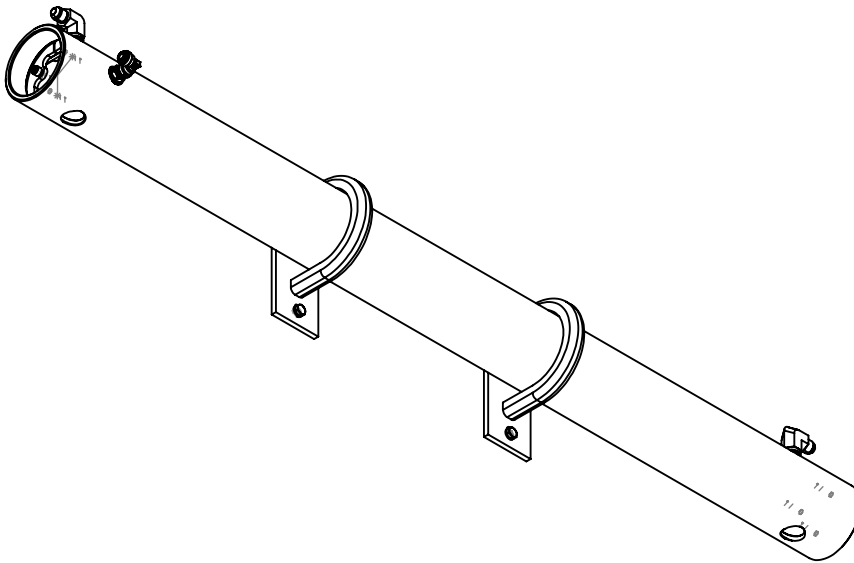
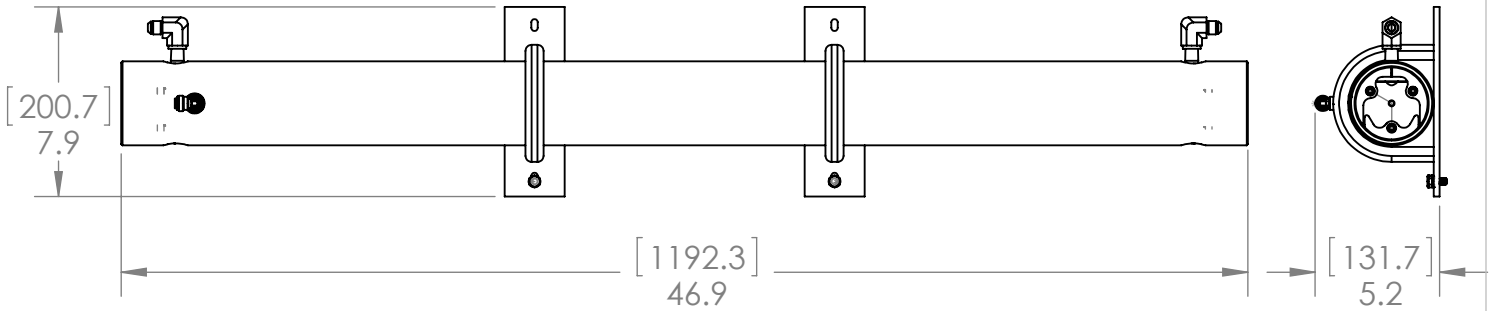


REVISIONS				
ZONE	REV.	DESCRIPTION	DATE	APPROVED
	A	ADDED U-RING AND UPDATED FITTINGS	4/1/2014	RC/CO



**NOTICE OF CONFIDENTIALITY**

THE INFORMATION CONTAINED IN THIS DRAWING IS THE SOLE PROPERTY OF BLUE WATER DESALINATION LLC. ANY REPRODUCTION, CIRCULATION, AND DISTRIBUTION IN PART OR AS A WHOLE WITHOUT THE WRITTEN CONSENT OF BLUE WATER DESALINATION LLC IS STRICTLY PROHIBITED.

MATERIAL:  
FINISH:  
DO NOT SCALE DRAWING

**TOLERANCES**  
UNLESS OTHERWISE SPECIFIED:  
DIMENSIONS ARE IN INCHES AND MILLIMETER  
FRACTIONAL: ± 1/16" ± 1.5mm  
ANGULAR: ± 1 DEG  
X ± 0.1" ± 2.5mm  
XX ± 0.01" ± 0.50mm  
XXX ± 0.005" ± 0.127mm

APPROVALS	DATE
DRAWN	
CHECK	
MFG	
QUAL	
CHIEF	



**Blue Water**  
DESALINATION

1930 E. CARSON ST. SUITE 103  
CARSON, CA 90810  
TEL: 1 (855) 55 DESAL  
FAX: 1 (310) 684 - 1474  
www.BlueWaterDesalination.com

TITLE: **MEM, ASSY, 800-1**

SIZE <b>D</b>	DRAWING NUMBER <b>FL1518</b>	REV <b>A</b>
SCALE:	WEIGHT:	SHEET 2 OF 2