

EXPLORER LX

FROM 2,100 TO 3,400 GPD OF PURE WATER



PURE WATER FOR LARGE VESSELS

The Explorer LX series offer semi-automatic operation in a wide range of capacities to fit the needs of most large yachts and commercial vessels. It's high output and superior quality components offer a peace of mind at sea for extended periods of time.

- Semi-automatic operation
- Simple LCD screen controller
- Compact design
- Designed for easy service and maintenance
- Fresh water flush system
- High rejection membranes
- Dual voltage 50/60Hz motors
- Optional remote control
- Expandable to 3,400 GPD



THE NEXT EVOLUTION IN
WATERMAKER DESIGN

A FULL LINE OF WATERMAKERS
FROM 200 TO 3,400 GPD

WORLDWIDE SALES, PARTS
AND EXPERT SERVICE



BLUEWATERDESALINATION.COM

Toll Free: 1 (855) 553-3725 • Tel: 1 (310) 684-1467

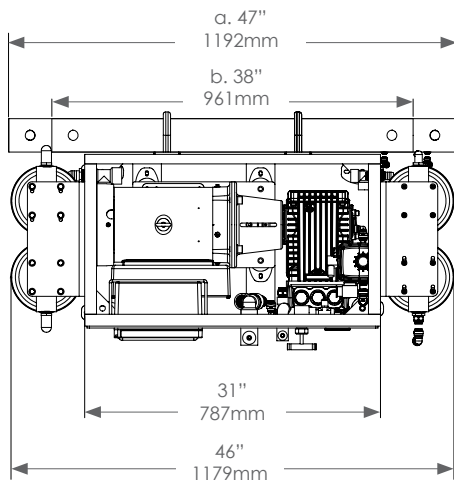
EXPLORER LX

FROM 2,100 TO 3,400 GPD OF PURE WATER

DRAWINGS & SPECIFICATIONS

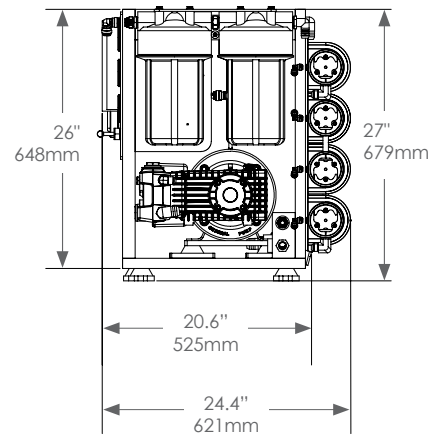
Model	No. of Membranes	Hourly Production	Daily Production	Feed Flow	Weight
EXX 2100	3	85 GPH 331 LPH	2,100 GPD 7,950 LPD	7.6 GPM	355 lbs 161kg
EXX 2600	4	108 GPH 410 LPH	2,600 GPD 9,840 LPD	7.6 GPM	380 lbs 172kg
EXX 2700	3	113 GPH 426 LPH	2,700 GPD 10,220 LPD	7.6 GPM	385 lbs 175kg
EXX 3200	4	133 GPH 505 LPH	3,200 GPD 12,110 LPD	7.6 GPM	405 lbs 184kg
EXX 3400	4	142 GPH 536 LPH	3,400 GPD 12,870 LPD	7.6 GPM	405 lbs 184kg

Model Phase	Booster Pump	HP Pump	Hz	Voltage	Run Amps	Start Amps
Single	1 HP 0.75 KW	5 HP 3.75 KW	50 60	220	34	98
Three	1 HP 0.75 KW	5 HP 3.75 KW	50 60	208 230	22 18	48 40
Three	1 HP 0.75 KW	5 HP 3.75 KW	50 60	380 460	11 9	24 20

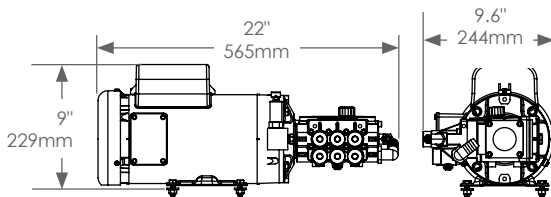


Top View

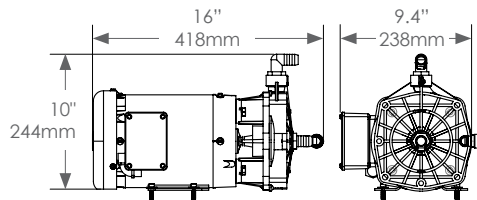
Vessel Assembly
a. 2700 / 3200 / 3400
b. 2100 / 2600



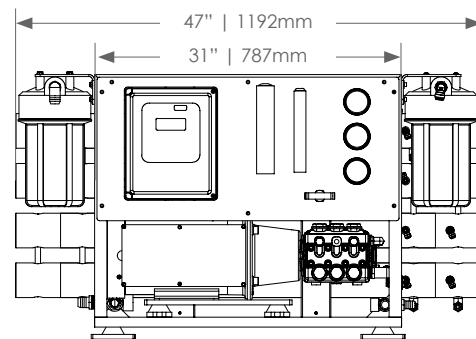
Side View



HP Pump



Booster Pump



Front View

ADDITIONAL DRAWINGS AVAILABLE AT: BLUEWATERDESALINATION.COM/WATERMAKERS/EXPLORER-LX