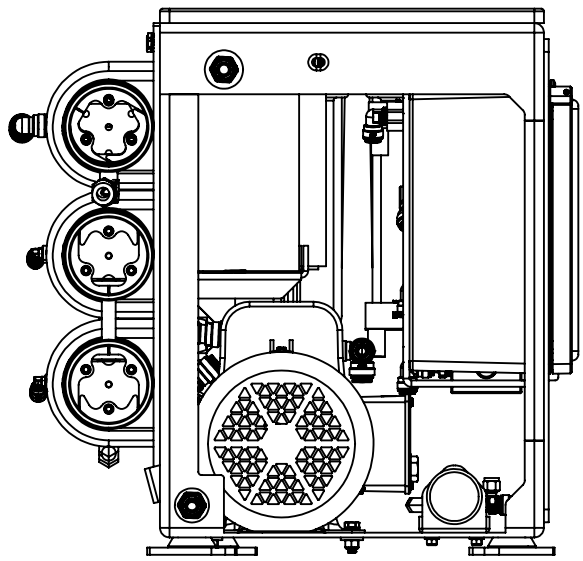
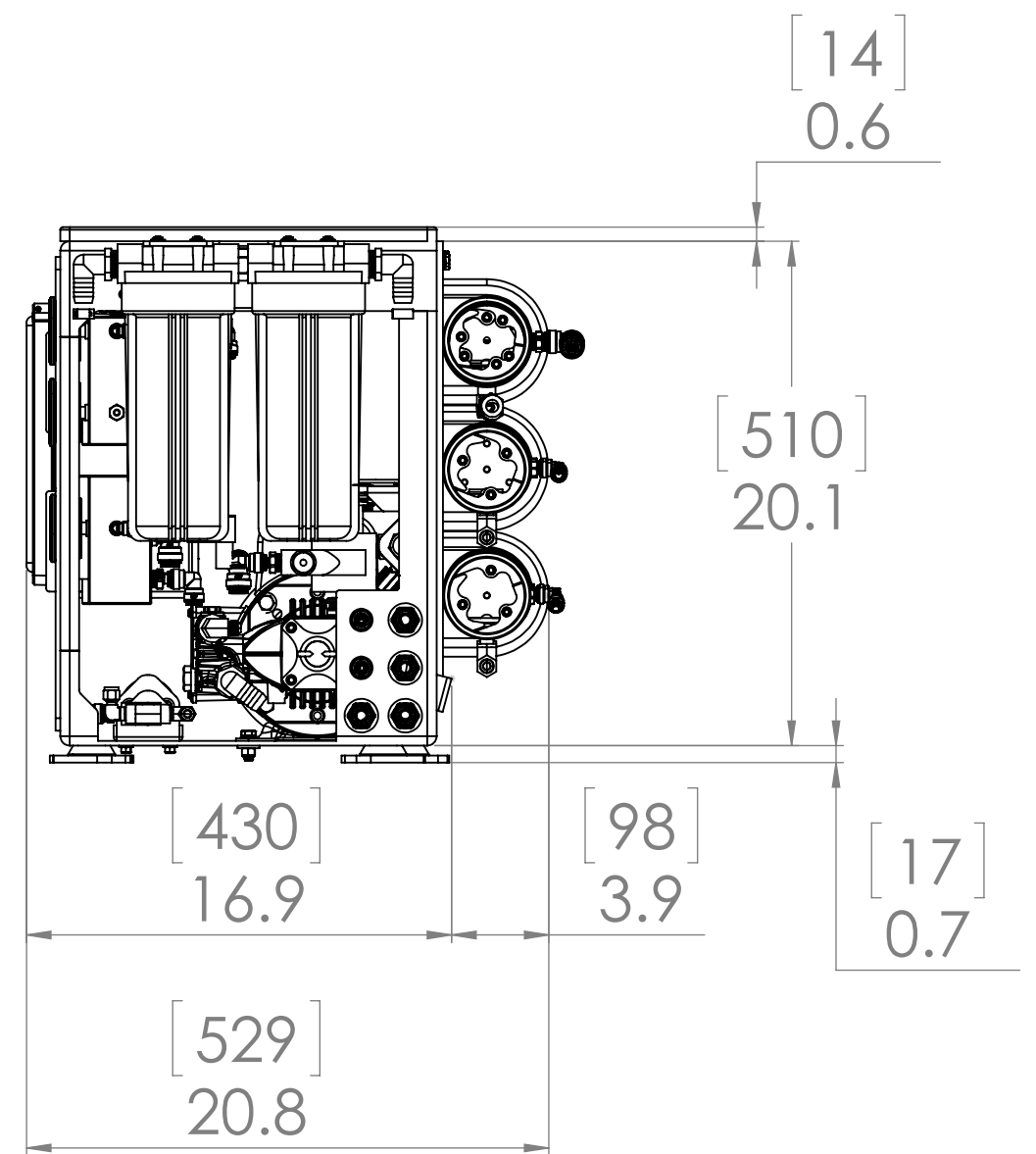
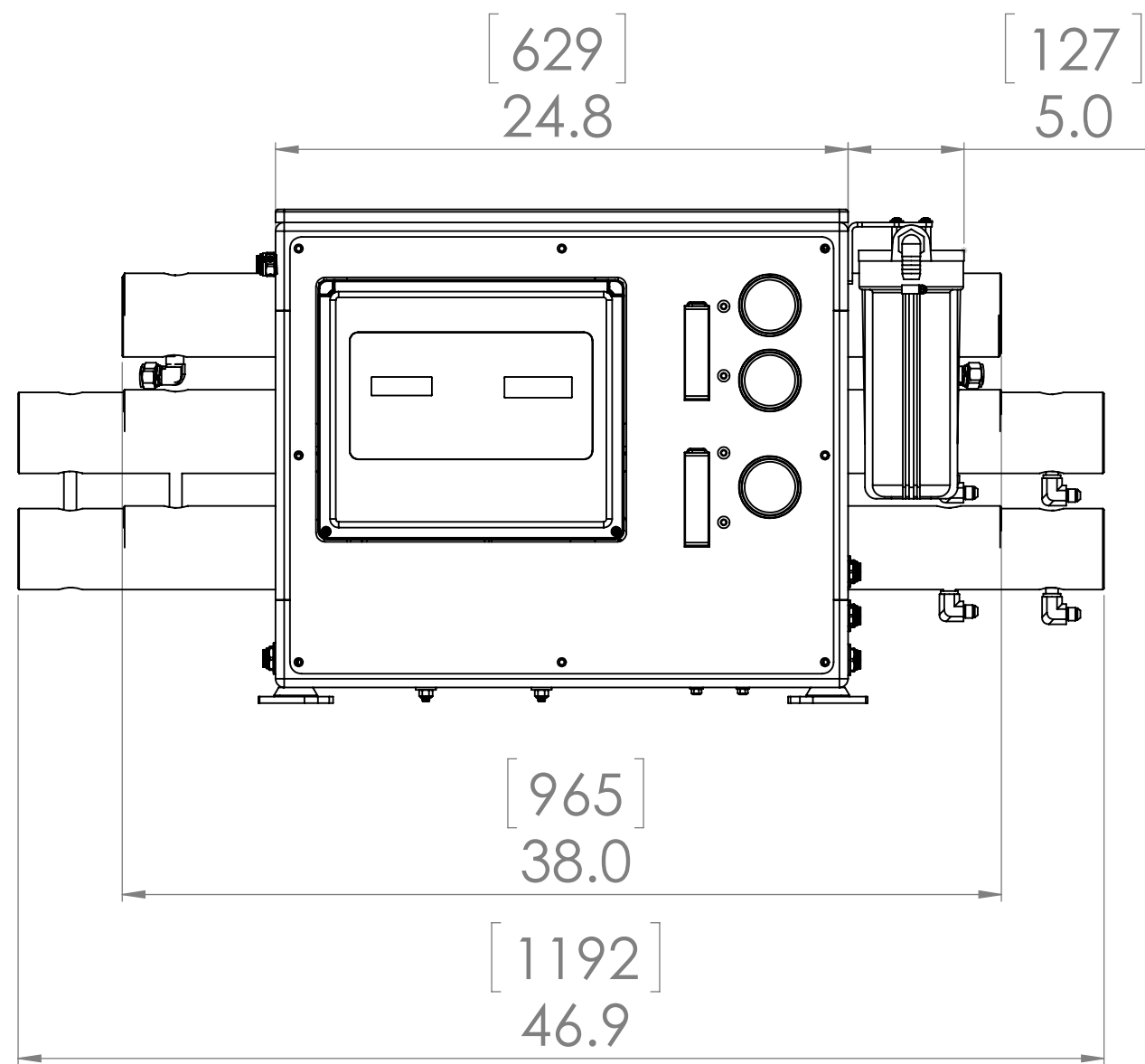
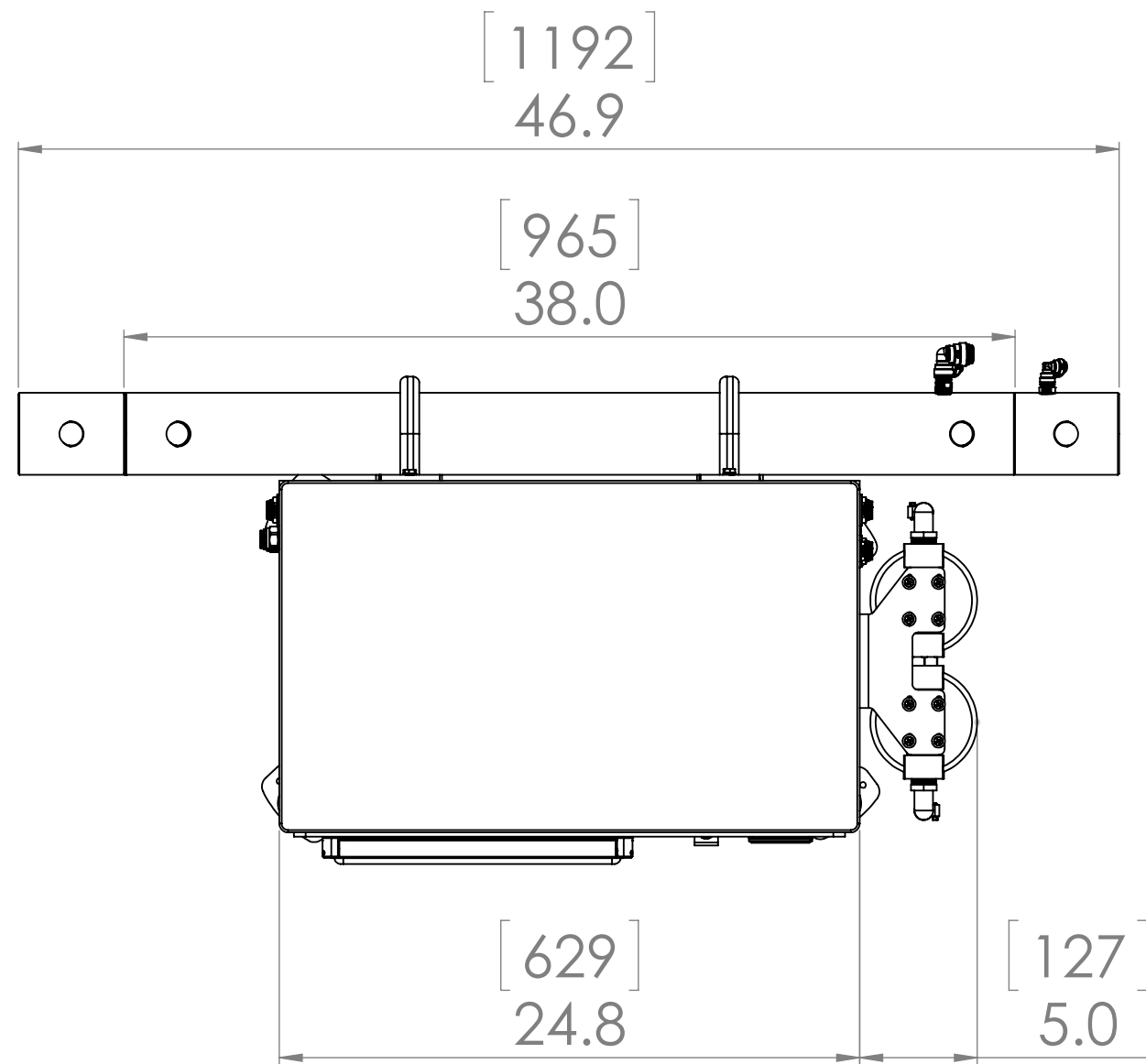


8 7 6 5 4 3 2 1

F  
E  
D  
C  
B  
A



**NOTICE OF CONFIDENTIALITY**  
 THE INFORMATION CONTAINED IN THIS DRAWING IS THE SOLE PROPERTY OF BLUE WATER DESALINATION LLC. ANY REPRODUCTION, CIRCULATION, AND DISTRIBUTION IN PART OR AS A WHOLE WITHOUT THE WRITTEN CONSENT OF BLUE WATER DESALINATION LLC IS STRICTLY PROHIBITED.

**TOLERANCES**  
 UNLESS OTHERWISE SPECIFIED:  
 DIMENSIONS ARE IN INCHES AND MILLIMETER  
 FRACTIONAL: ± 1/16" ± 1.5mm  
 ANGULAR: ± 1 DEG  
 .X ± 0.1" ± 2.5mm  
 .XX ± .001" ± 0.50mm  
 .XXX ± .005" ± 0.127mm

**Blue Water**  
 DESALINATION  
 1930 E. CARSON ST, SUITE 103  
 CARSON, CA, 90810  
 TEL: 1 (855) 55 DESAL  
 FAX: 1 (310) 684-1474  
 www.BlueWaterDesalination.com

MATERIAL: VARIOUS  
 FINISH: POWDER COAT  
 DO NOT SCALE DRAWING

APPROVALS	DATE
DRAWN R. CUDIAMAT	7/17/2014
CHECK C. OKADA	7/17/2014
MFG ENG	7/17/2014
QUAL Q ENG	7/17/2014
CHIEF CH ENG	7/17/2014

TITLE:	ECM1C - EXPRESS CM, COMPACT	
SIZE	DRAWING NUMBER	REV
<b>C</b>	<b>ECM1C</b>	<b>NR</b>
SCALE: 1:1	WEIGHT: 100 LBS	SHEET 1 OF 2

8 7 6 5 4 3 2 1