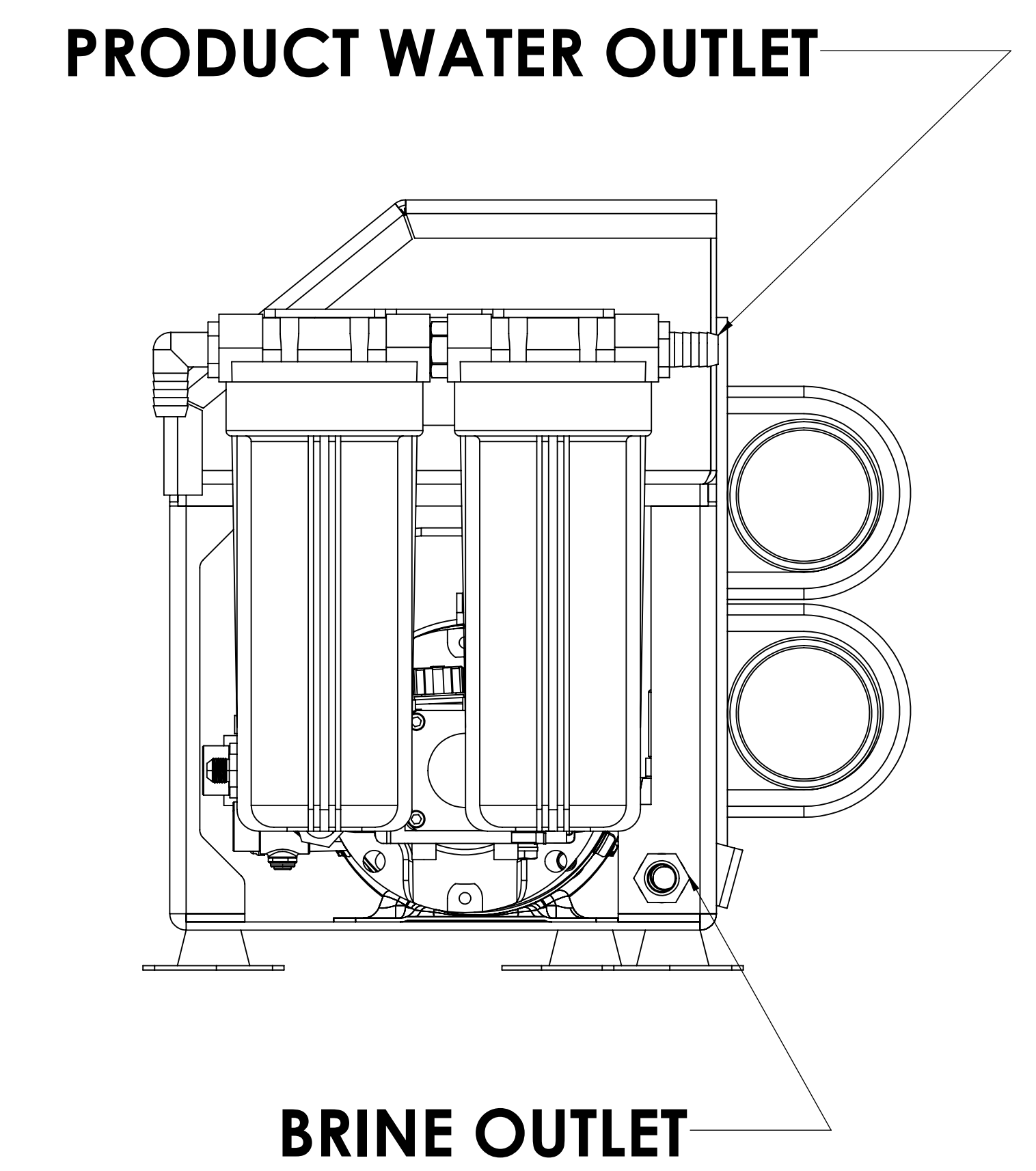
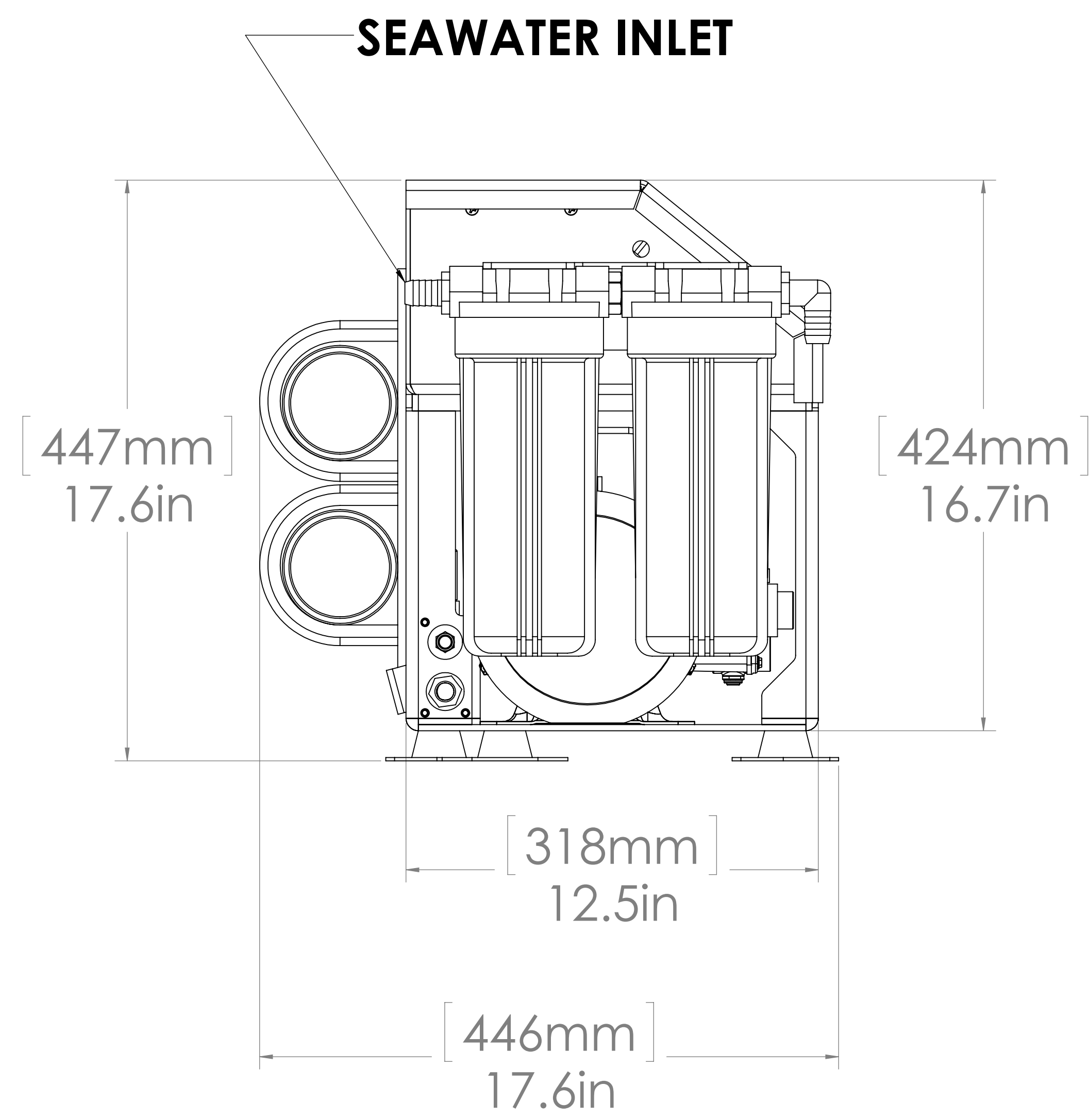
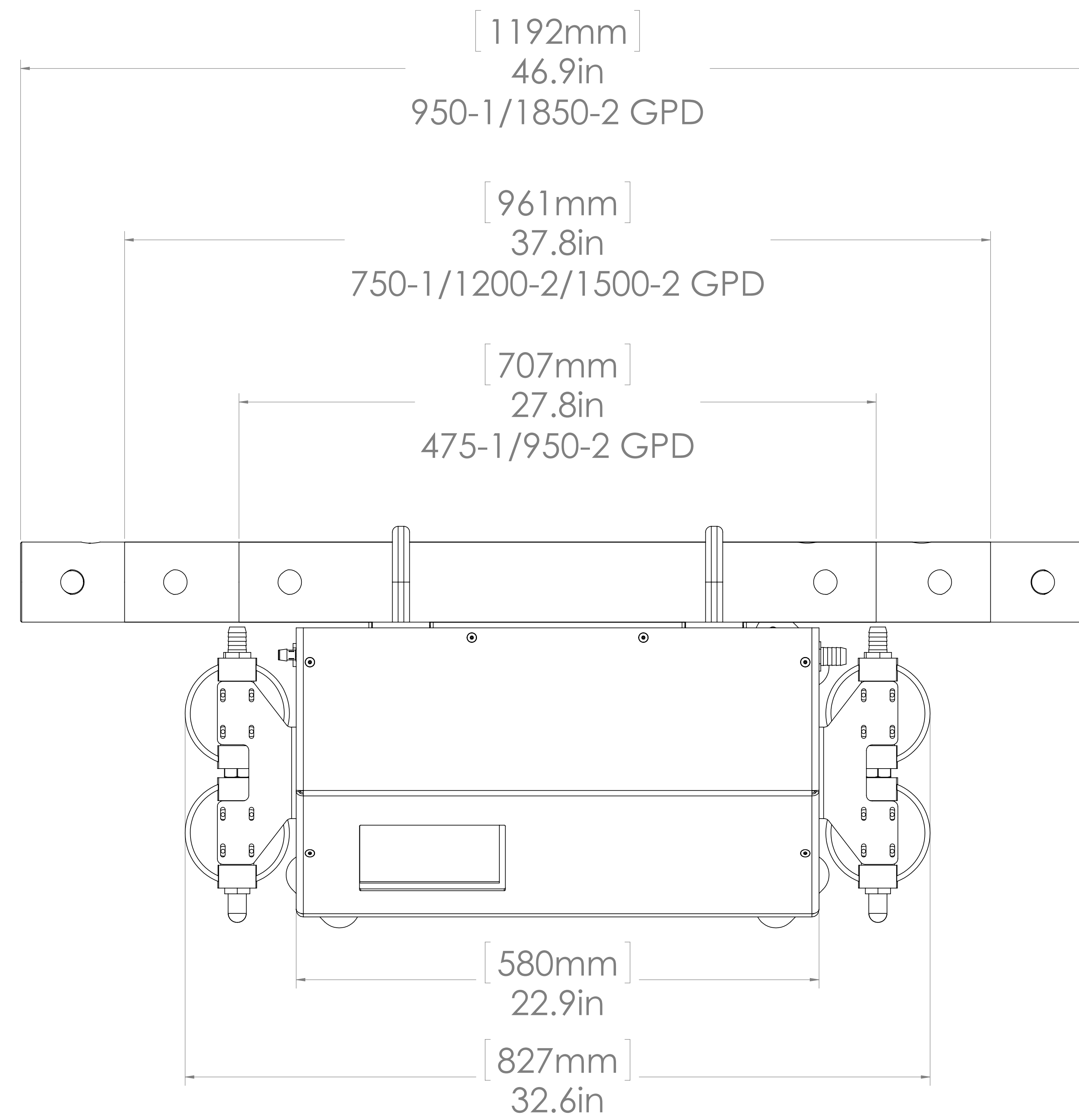


REVISIONS				
ZONE	REV.	DESCRIPTION	DATE	APPROVED



NOTICE OF CONFIDENTIALITY
THE INFORMATION CONTAINED IN THIS DRAWING IS THE SOLE PROPERTY OF BLUE WATER DESALINATION LLC. ANY REPRODUCTION, CIRCULATION, AND DISTRIBUTION IN PART OR AS A WHOLE WITHOUT THE WRITTEN CONSENT OF BLUE WATER DESALINATION LLC IS STRICTLY PROHIBITED.

Blue Water
DESALINATION LLC
10701 CAMDEN BLVD
SAN DIEGO, CA 92121
TEL: 619.594.8474
WWW.BLUEWATERDESALINATION.COM

LEGEND

MATERIAL: VARIOUS	FINISH: POWDER COAT	DO NOT SCALE DRAWING	SCALE: 1:1	WEIGHT: 75 LBS	SHEET 1 OF 2
-------------------	---------------------	----------------------	------------	----------------	--------------

REV NR