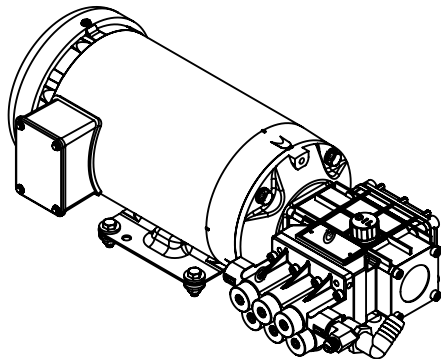
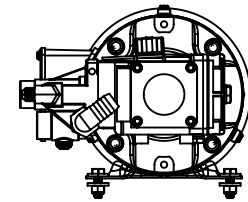
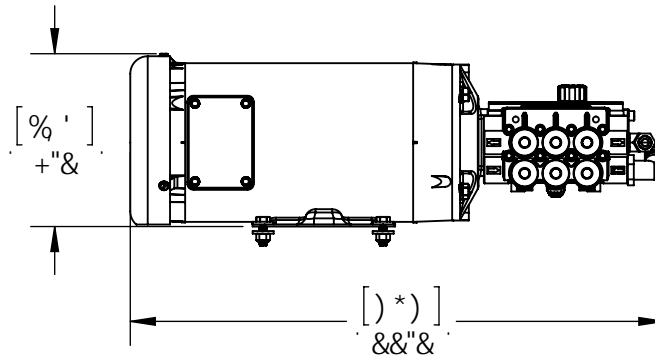
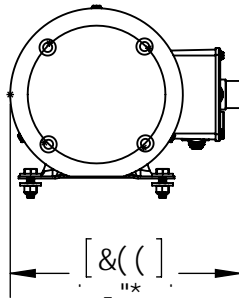
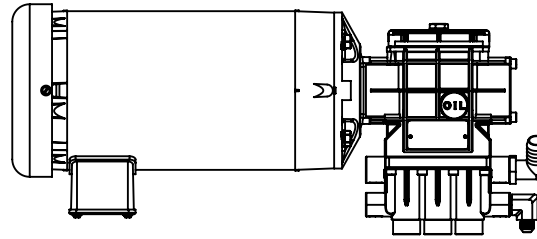


F9J 6C BG				
NC B9	F9J "	89G7 F-DHC B	85H9	5DDFC J 98
	5	F9A C J 98 GF5-B F9@9: 5B8 7 C B81 +2 7 F95H8 G 6: C F A 5B=C @	' #&+#&\$%(	F7 #7 C
	6	F9A C J 98 A B%\$&: FCA 5GM	( #&, #&\$%(	F7 #7 C



**BCH79C: 7CB: 89BH5@HM**

H: 9 B: CFA 5HC B 7CBH5B98 B H: 68F5K B;  
 6H: 9 GC @ DFC D9F HMC: 6@ 9K 5HF  
 89G5@B5HC B @7 " 5BMF9DFC 81 7HC BZ  
 7 F71 @5HC BZ5B8 8 6H 6I HC B -B D5FHC F 5G  
 5 K <C @7K #kC1 Hk 9K F #H8B 7CB9BHHC:  
 6@ 9K 5HF 89G95 @B5HC B @7 6GF 7 HM  
 DFC < 6+98 "

HC# 5B79G	
1 B @9G C H: 9K 69 C97 + 98	
84 @9G C5F9 87-8558 A @4 @F	
157 H: 55 @ 50" ± 5/16	
5B: 1 @F: ± 5/16	
L: ± 3/16	
LL: ± 3/16	
LLL: ± 5/16	
5DDFC J5 @G	85H9
8F5K B	71 B 6A 5H (1/16 1/32)
7 < 977	7 C 7585 (1/16 1/32)
A:	90 (1/16 1/32)
E 1 5 @	90 (1/16 1/32)
7 < 98	7 < 98 (1/16 1/32)

**6i YKUF**

Ö A U A Z S C P A E V A U A

DA D!A HF ž 5 GGMž < Dz" D < ž ( " & DA

G 9	8F5K B; B I A 69F	F 9J
8	DA ' ( \$-	6
G 7 5 @9	K 9 < H	&) @ 6G
		G < 99H% C: &