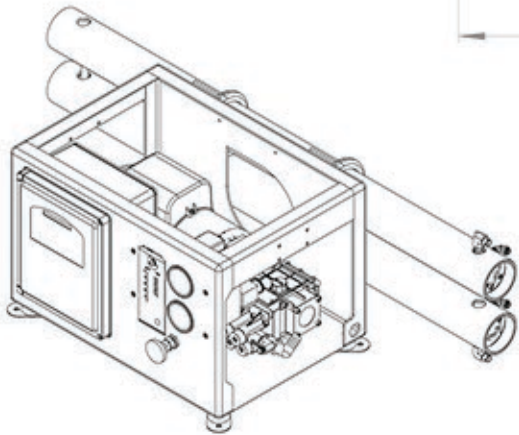
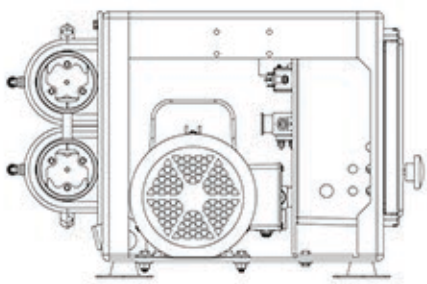
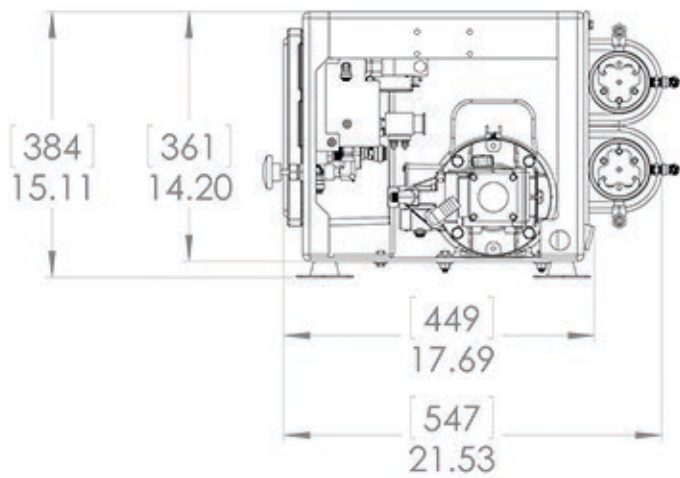
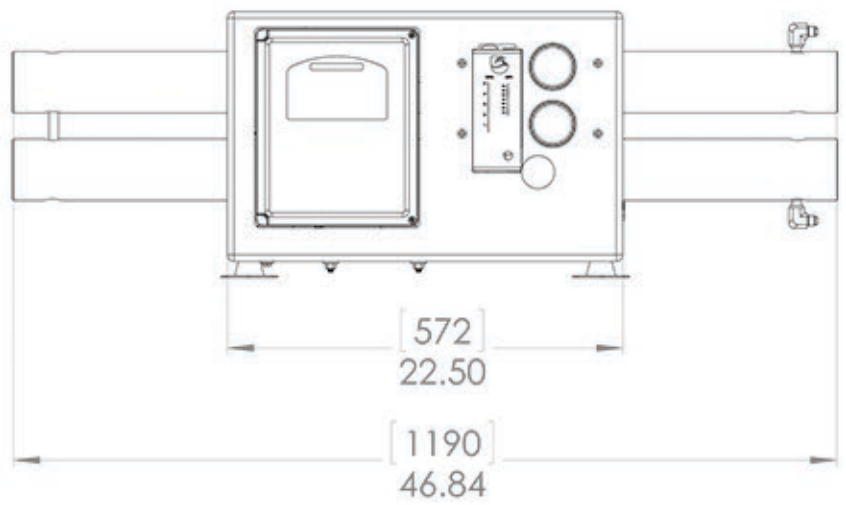
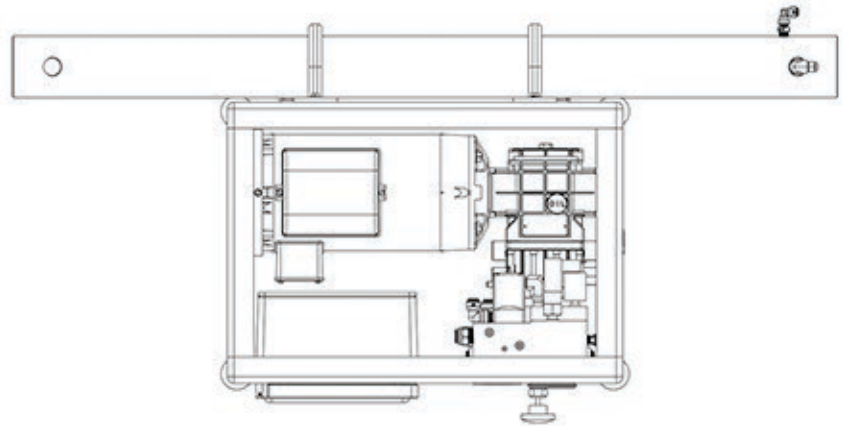


REVISION				
NO.	DATE	DESCRIPTION	BY	APPROVED
1		INITIAL RELEASE	SP7524	WJGD
A		ADD AND REVISIT AREA SUBJECT APPROVED TO ACCOUNTING FOR CONFORMANCE	15824	WJGD



NOTICE OF COMPLIANCE
 THE INFORMATION CONTAINED IN THIS DRAWING IS THE SOLE PROPERTY OF BLUE WATER EXPLORES. IT IS TO BE USED ONLY FOR THE PROJECT AND LOCATION AND DISTRIBUTION IN PART OR AS A WHOLE WITHOUT THE WRITTEN CONSENT OF BLUE WATER EXPLORES IS EXPRESSLY PROHIBITED.

Blue Water
 EXPLORER COMPACT

EXLIC

SCALE: 1:1 WEIGHT: 130 LBS

DO NOT SCALE DRAWING