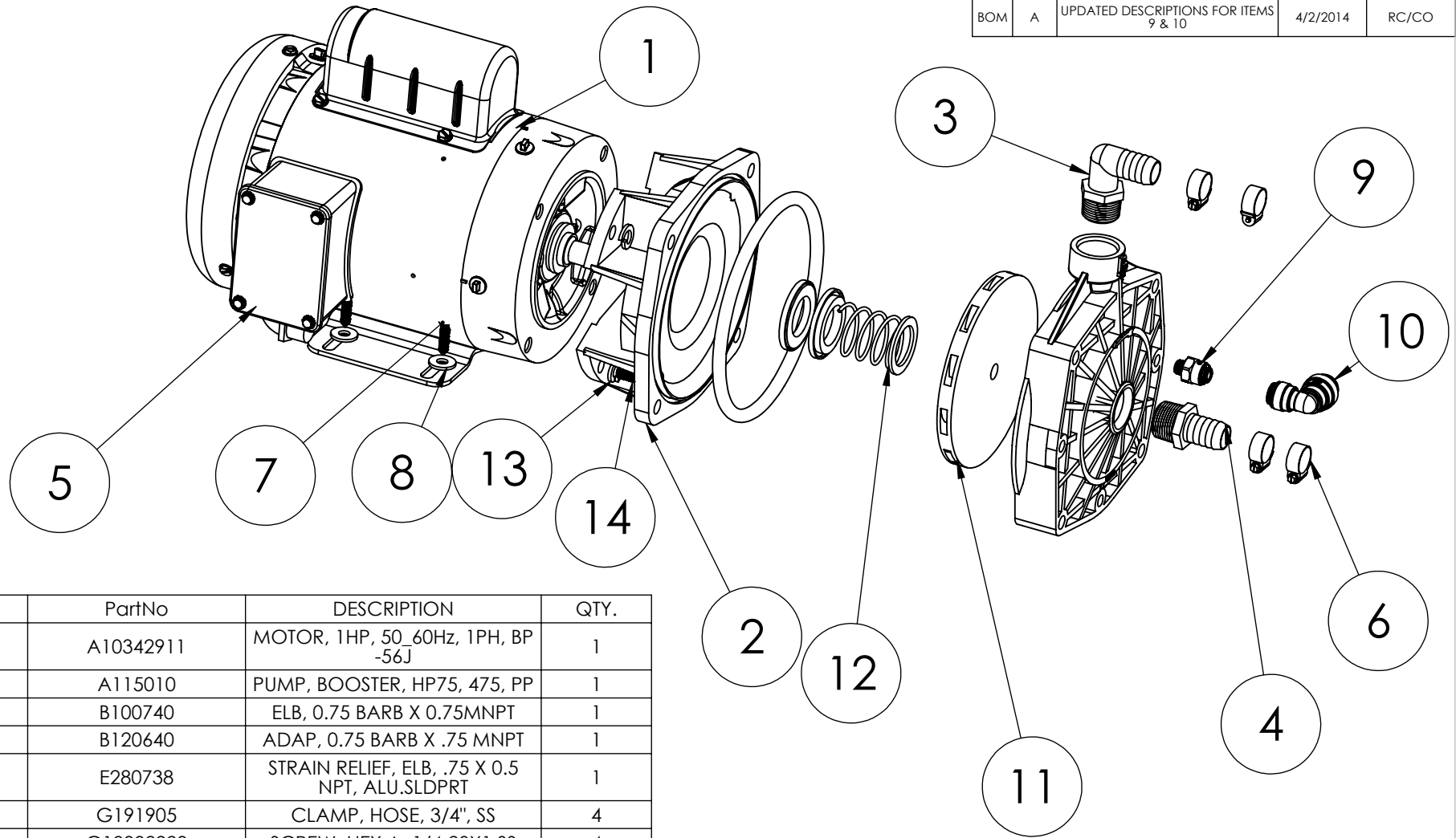


REVISIONS				
ZONE	REV.	DESCRIPTION	DATE	APPROVED
BOM	A	UPDATED DESCRIPTIONS FOR ITEMS 9 & 10	4/2/2014	RC/CO



ITEM NO.	PartNo	DESCRIPTION	QTY.
1	A10342911	MOTOR, 1HP, 50_60Hz, 1PH, BP -56J	1
2	A115010	PUMP, BOOSTER, HP75, 475, PP	1
3	B100740	ELB, 0.75 BARB X 0.75MNPT	1
4	B120640	ADAP, 0.75 BARB X .75 MNPT	1
5	E280738	STRAIN RELIEF, ELB, .75 X 0.5 NPT, ALU.SLDPRT	1
6	G191905	CLAMP, HOSE, 3/4", SS	4
7	G18332223	SCREW, HEX A, 1/4-20X1,SS	4
8	G18100121	WASHER, FLAT, OS, 1/4, SS	4
9	B122607	CONN, .25 TUBE X .125 NPT, QK	1
10	B103918	ELB90, 3/8 X 1/4 TUBE, QK	1
11	A1201475	IMPELLER, 4.75 IN	1
12	G220601	SEALS, KIT, BP, HP75, PVC	1
13	G18120133	WASHER, LOCK, .375, SS	4
14	G18212220	BOLT, HEX, .375-16,1 IN, SS	4
15	E282420	CONN, SPLICING, 28-14 AWG, 3 COND	2
16	E282320	CONN, SPLICING, 28-14 AWG, 2 COND	3

NOTICE OF CONFIDENTIALITY

THE INFORMATION CONTAINED IN THIS DRAWING IS THE SOLE PROPERTY OF BLUE WATER DESALINATION LLC. ANY REPRODUCTION, CIRCULATION, AND DISTRIBUTION IN PART OR AS A WHOLE WITHOUT THE WRITTEN CONSENT OF BLUE WATER DESEALINATION LLC IS STRICTLY PROHIBITED.

MATERIAL:

FINISH:

DO NOT SCALE DRAWING

TOLERANCES
UNLESS OTHERWISE SPECIFIED:

FRACTIONAL:	± 1/16"	± 1.5mm
ANGULAR:	± 1 DEG	
X	± 0.1"	± 2.5mm
XX	± 0.01"	± 0.50mm
XXX	± 0.005"	± 0.127mm

APPROVALS	DATE
DRAWN	
CHECK	
MFG	
QUAL	
CHIEF	



Blue Water
DESALINATION

1930 E. CARSON ST. SUITE 103
CARSON, CA 90810
TEL: 1 (855) 53 DESAL
FAX: 1 (310) 484 - 1474
www.BlueWaterDesalination.com

TITLE:

PMP-MTR, ASSY, BP, 1PH, 1HP,
HP75

SIZE

DRAWING NUMBER
PM 2207

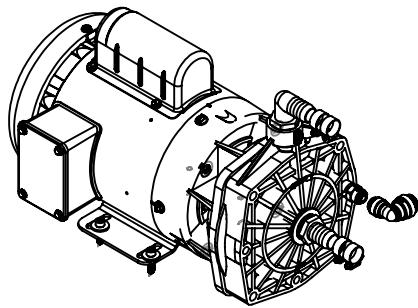
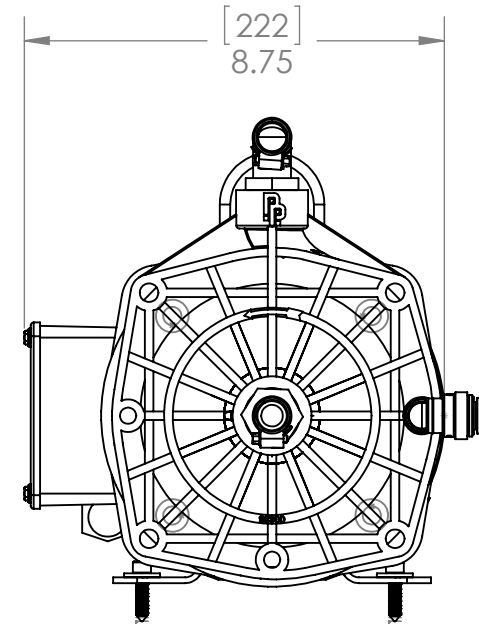
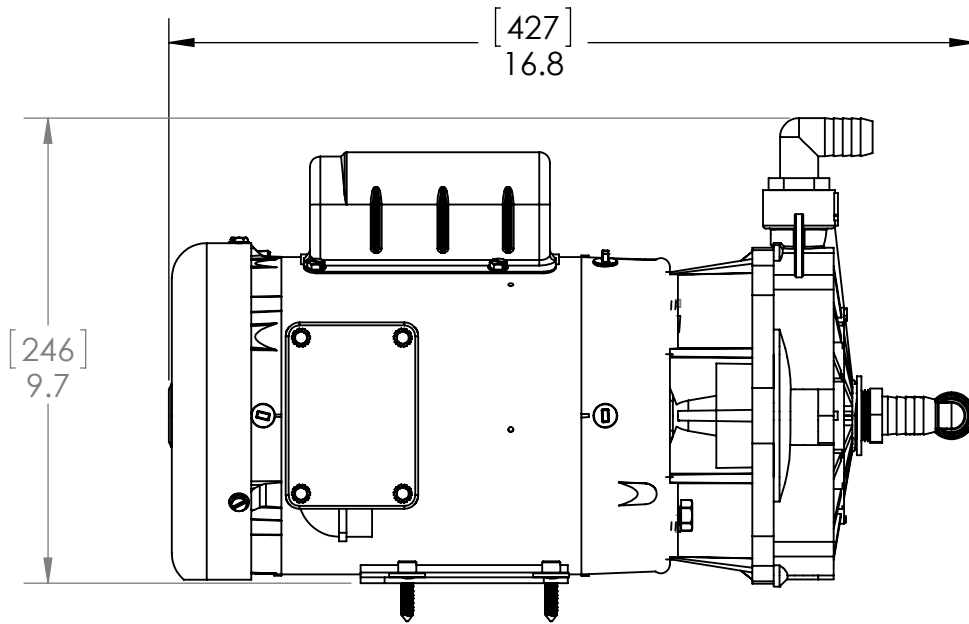
REV

A

SCALE:

WEIGHT:

SHEET 1 OF 2



NOTICE OF CONFIDENTIALITY

THE INFORMATION CONTAINED IN THIS DRAWING IS THE SOLE PROPERTY OF BLUE WATER DESALINATION LLC. ANY REPRODUCTION, CIRCULATION, AND DISTRIBUTION IN PART OR AS A WHOLE WITHOUT THE WRITTEN CONSENT OF BLUE WATER DESALINATION LLC IS STRICTLY PROHIBITED.

MATERIAL:

FINISH:

DO NOT SCALE DRAWING

TOLERANCES
UNLESS OTHERWISE SPECIFIED:
DIMENSIONS ARE IN INCHES AND MILLIMETER
FRACTIONAL: ± 1/16" ± 1.5mm
ANGULAR: ± 1 DEG ± 2.5mm
X ± .01" ± 0.50mm
XX ± .001" ± 0.50mm
XXX ± .005" ± 0.127mm

APPROVALS	DATE
DRAWN	
CHECK	
MFG	
QUAL	
CHIEF	



Blue Water
DESALINATION

1930 E. CARSON ST. SUITE 103
CARSON, CA 90810
TEL: 1 (855) 53 DESAL
FAX: 1 (310) 684 - 1474
www.BlueWaterDesalination.com

TITLE:
**PMP-MTR, ASSY, BP, 1PH,
1HP, HP75**

SIZE **D** DRAWING NUMBER **PM 2207** REV **NR**

SCALE: WEIGHT: SHEET 2 OF 2