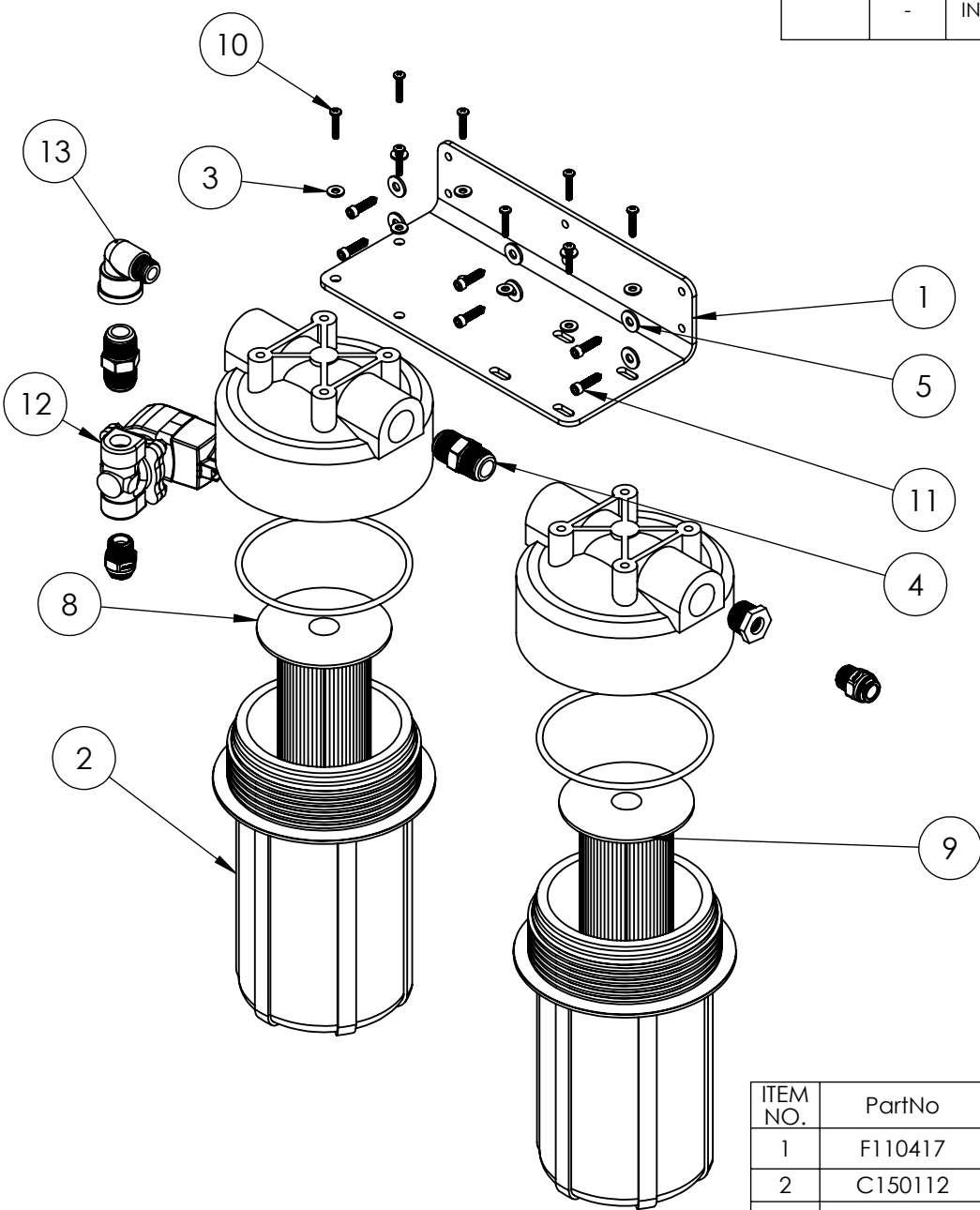


REVISIONS				
ZONE	REV.	DESCRIPTION	DATE	APPROVED
	-	INITIAL RELEASE	2/2/2015	RC/COB2



ITEM NO.	PartNo	DESCRIPTION	QTY.
1	F110417	BRACKET, DUAL, FILTER, BIG BLUE	1
2	C150112	HOUSING, FILTER, 1, 10, BIG BLUE	2
3	G18110103	WASHER, FLAT, 10, NYL	8
4	B130309NYL	NIPPLE, HEX, .75, MNPT CLOSE	2
5	G18100121	WASHER, FLAT, OS, 1/4, SS	6
6	B122026	CONN, 0.5X0.5MNPT, QK	2
7	B150227NYL	RB, 0.5FPT X 0.75MPT, NYL	1
8	C102307	ELEMENT, CARBON, BB	1
9	C101906	ELEMENT, 5 MICRON, BB	1
10	G1844080306	SCREW, TYPE A, #10 X 1	8
11	G152221SS	SCREW, HEX A, 1/4 X1,SS	6
12			1
13	B101240NYL	ELB90, STREET, 3/4 MPT X 3/4 FPT, NYL	1

NOTICE OF CONFIDENTIALITY
 THE INFORMATION CONTAINED IN THIS DRAWING IS THE SOLE PROPERTY OF BLUE WATER DESALINATION LLC. ANY REPRODUCTION, CIRCULATION, AND DISTRIBUTION IN PART OR AS A WHOLE WITHOUT THE WRITTEN CONSENT OF BLUE WATER DESALINATION LLC IS STRICTLY PROHIBITED.

MATERIAL:
 FINISH:
 DO NOT SCALE DRAWING

TOLERANCES
 UNLESS OTHERWISE SPECIFIED:

DIMENSIONS ARE IN INCHES AND MILLIMETER

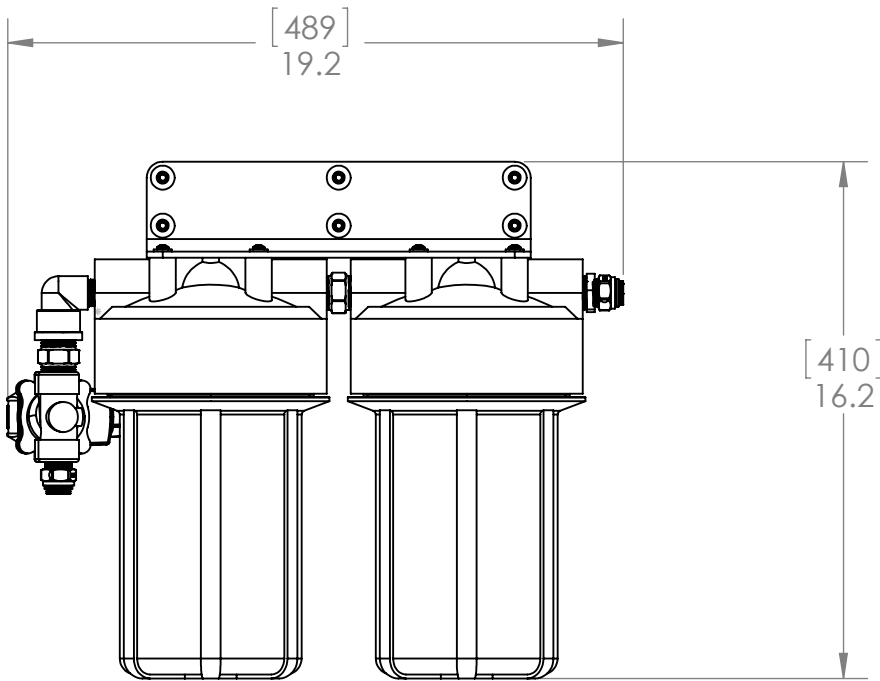
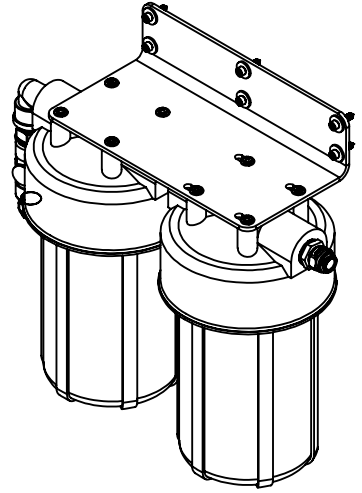
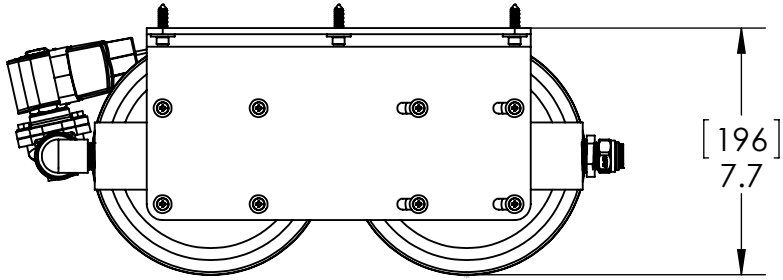
FRACTIONAL: ± 1/16" ± 1.5mm
 ANGULAR: ± 1 DEG ± 0.25mm
 X .001 ± .001" ± 0.50mm
 XXX ± .005" ± 0.127mm

APPROVALS	DATE
DRAWN	
CHECK	
MFG	
QUAL	
CHIEF	

Blue Water DESALINATION
 1930 E. CARSON ST. SUITE 103
 CARSON, CA 90810
 TEL: 1 (855) 55 DESAL
 FAX: 1 (310) 684-1474
 www.BlueWaterDesalination.com

TITLE:

SIZE	DRAWING NUMBER	REV
D		-
SCALE:	WEIGHT:	SHEET 1 OF 2



NOTICE OF CONFIDENTIALITY

THE INFORMATION CONTAINED IN THIS DRAWING IS THE SOLE PROPERTY OF BLUE WATER DESALINATION LLC. ANY REPRODUCTION, CIRCULATION, AND DISTRIBUTION IN PART OR AS A WHOLE WITHOUT THE WRITTEN CONSENT OF BLUE WATER DESALINATION LLC IS STRICTLY PROHIBITED.

MATERIAL:
FINISH:
DO NOT SCALE DRAWING

TOLERANCES
UNLESS OTHERWISE SPECIFIED:

DIMENSIONS ARE IN INCHES AND MILLIMETER
 FRACTIONAL: ± 1/16" ± 1.5mm
 ANGULAR: ± 1 DEG
 X ± 0.1" ± 2.5mm
 XX ± 0.01" ± 0.50mm
 XXX ± 0.005" ± 0.127mm



Blue
DESALINATION
TITLE: **Water**

1930 E. CARSON ST. SUITE 103
 CARSON, CA. 90810
 TEL: 1 (855) 55 DESAL
 FAX: 1 (310) 684 - 1474
 www.BlueWaterDesalination.com

APPROVALS	DATE
DRAWN	
CHECK	
MFG	
QUAL	
CHIEF	

SIZE D	DRAWING NUMBER	REV NR
SCALE:	WEIGHT:	SHEET 2 OF 2