

# CLEARMATE

FROM 1,000 TO 2,800 GPD OF ULTRA PURE WATER

## ULTRA PURE SPOT-FREE RINSING



The ClearMate utilizes the same technology as the Blue Water Desalination watermaker systems to provide ultra pure water. By softening source water, The ClearMate removes up to 99% of the remaining dissolved solids to allow for spot-free rinsing of your yacht.

- Use with dock water or existing watermaker
- Compact design
- Simple operation
- Quiet operation
- Low power consumption
- Modular installation
- 12 gauge 316 stainless steel tank
- Stainless steel vane pump
- Digital LCD controller displays
  - Water quality
  - Faults
  - Hour meter



THE NEXT EVOLUTION IN  
WATERMAKER DESIGN

FULL LINE OF WATERMAKERS  
FROM 200 TO 3,400 GPD

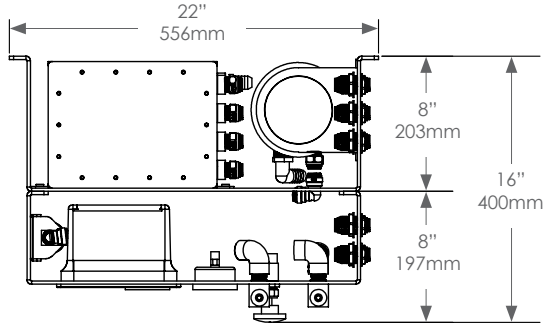
WORLDWIDE SALES, PARTS  
AND EXPERT SERVICE

# CLEARMATE

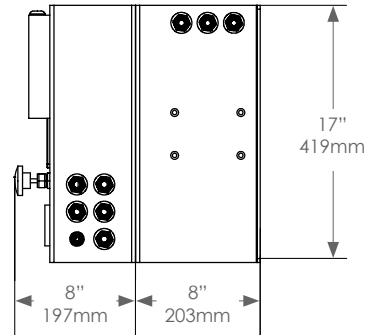
FROM 1,000 TO 2,800 GPD OF ULTRA PURE WATER

## DRAWINGS & SPECIFICATIONS

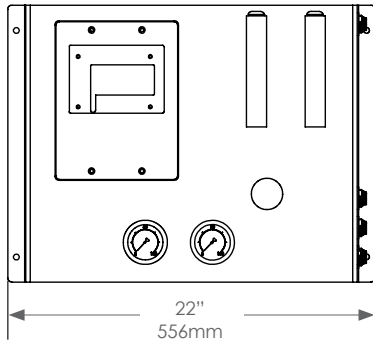
Model	Hourly Production	Daily Production	Run Amps 110V	Run Amps 220V	Weight
ClearMate 1000	42 GPH   158 LPH	1,000 GPD   3,785 LPD	10.4	5.2	90 lbs   41kg
ClearMate 2000	83 GPH   315 LPH	2,000 GPD   7,570 LPD	10.4	5.2	115 lbs   52kg
ClearMate 2800	117 GPH   442 LPH	2,800 GPD   10,600 LPD	10.4	5.2	130 lbs   59kg



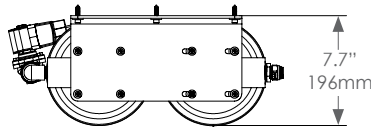
Top View



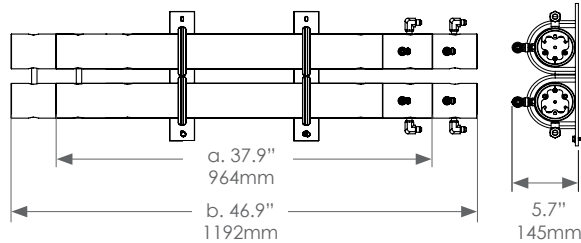
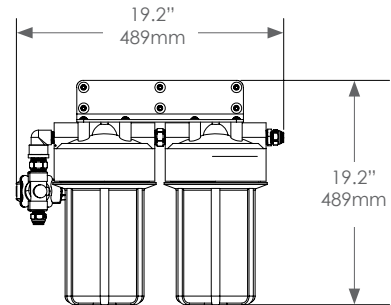
Side View



Main Control Panel



**Carbon & 5 Mic Prefilter**  
Replacement Elements:  
C102410 – Carbon Element  
C103202 – 5 Micron Element



**Vessel Assembly**  
a: 1000 / 2000  
b: 2800

ADDITIONAL DRAWINGS AVAILABLE AT: [BLUEWATERDESALINATION.COM/WATERMAKERS/CLEARMATE](http://BLUEWATERDESALINATION.COM/WATERMAKERS/CLEARMATE)