

EXPLORER XT

FROM 475 TO 1,800 GPD (1,800-6,810 LPD) OF PURE WATER

**PURE WATER FOR MID
TO LARGE-SIZED YACHTS**



The Blue Water Explorer XT series watermakers feature fully automatic operation with capacities up to 75 gallons per hour (284 liters per hour). The Explorer XT is a robust, expandable system designed for mid sized to large yachts. Three different configurations ensure that the installation can be customized to fit almost any available space.

- Fully automatic operation
- Simple LCD screen controller
- Designed for easy service and maintenance

- Fresh water flush system
- Quiet and reliable high pressure pumps
- Optional remote control

Available in 3 configurations:

- Compact Frame
- One Piece Modular
- Two Piece Modular



THE NEXT EVOLUTION IN
WATERMAKER DESIGN

FULL LINE OF WATERMAKERS
FROM 200 TO 5,500 GPD

WORLDWIDE SALES, PARTS
AND EXPERT SERVICE



BLUEWATERDESALINATION.COM

Tel: 1 (562) 426-2412

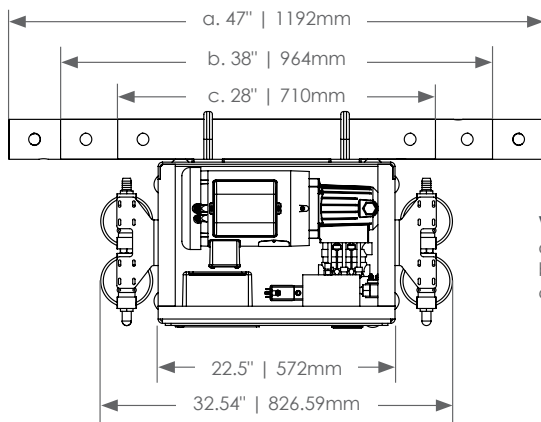
EXPLORER XT

FROM 475 TO 1,800 GPD (1,800-6,810 LPD) OF PURE WATER

DRAWINGS & SPECIFICATIONS

Model	Membranes	Hourly Production	Daily Production	Feed Flow	Weight
EPX1 475-1	1	20 GPH 75 LPH	475 GPD 1,800 LPD	4.2 GPM	160 lbs 73kg
EPX1 750-1	1	31 GPH 118 LPH	750 GPD 2,840 LPD	4.2 GPM	170 lbs 77kg
EPX1 950-1	1	40 GPH 150 LPH	950 GPD 3,600 LPD	4.2 GPM	180 lbs 82kg
EPX1 950-2	2	40 GPH 150 LPH	950 GPD 3,600 LPD	4.2 GPM	195 lbs 88kg
EPX1 1200-2	2	50 GPH 189 LPH	1,200 GPD 4,540 LPD	4.2 GPM	210 lbs 95kg
EPX1 1500-2	2	63 GPH 237 LPH	1,500 GPD 5,680 LPD	4.2 GPM	210 lbs 95kg
EPX1 1800-2	2	75 GPH 284 LPH	1,800 GPD 6,810 LPD	4.2 GPM	225 lbs 102kg

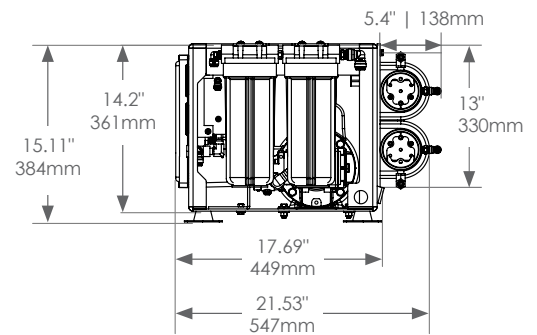
Model Phase	Booster Pump	HP Pump	Hz	Voltage	Run Amps	Start Amps
Single	0.50 HP 0.37 KW	2.5 HP 1.8 KW	50 60	110 220	31.0 15.5	109 55
Three	0.50 HP 0.37 KW	3.0 HP 2.2 KW	50 60	208 230	10.6 8.9	37 36



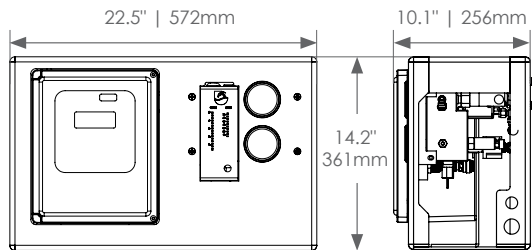
EPX1C – Compact Frame

Vessel Assembly

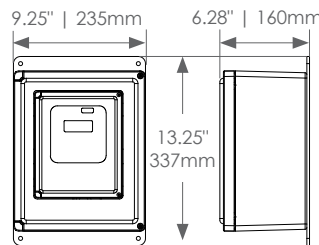
a: 950-1 / 1800-2
b: 750-1 / 1200-2 / 1500-2
c: 475-1 / 950-2



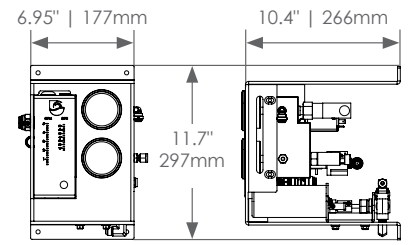
EPX1C – Compact Frame



EPX1S – One Piece Modular



EPX1M – Two Piece Modular



ADDITIONAL DRAWINGS AVAILABLE AT: BLUEWATERDESALINATION.COM/WATERMAKERS/EXPLORER-XT